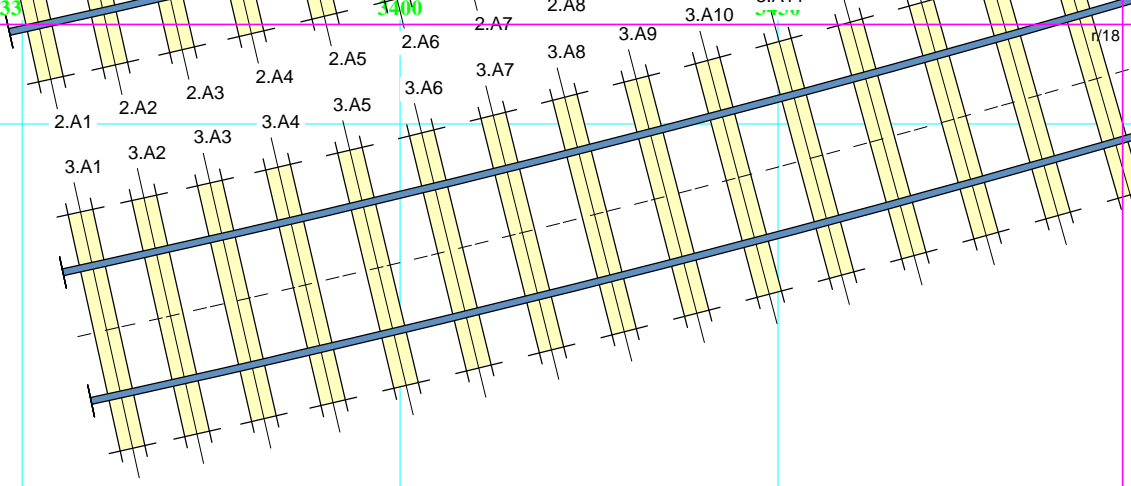
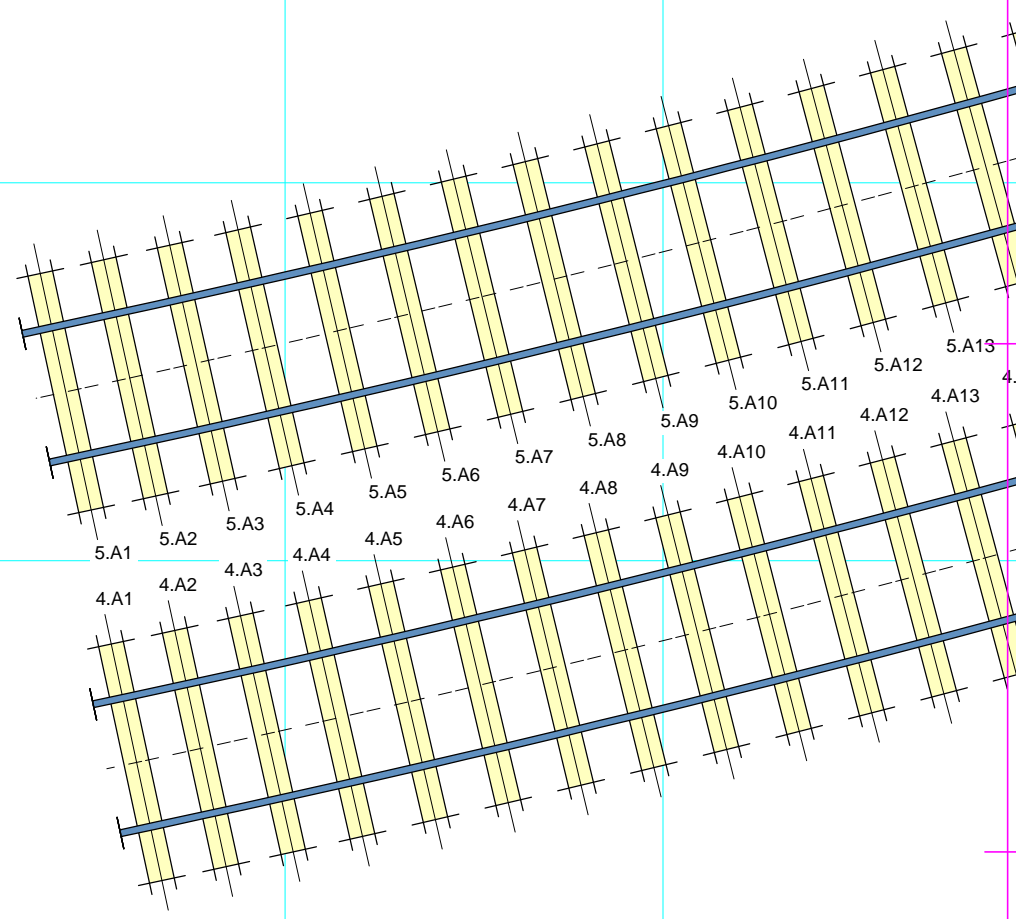


17/06/2011 13:12:35

4450



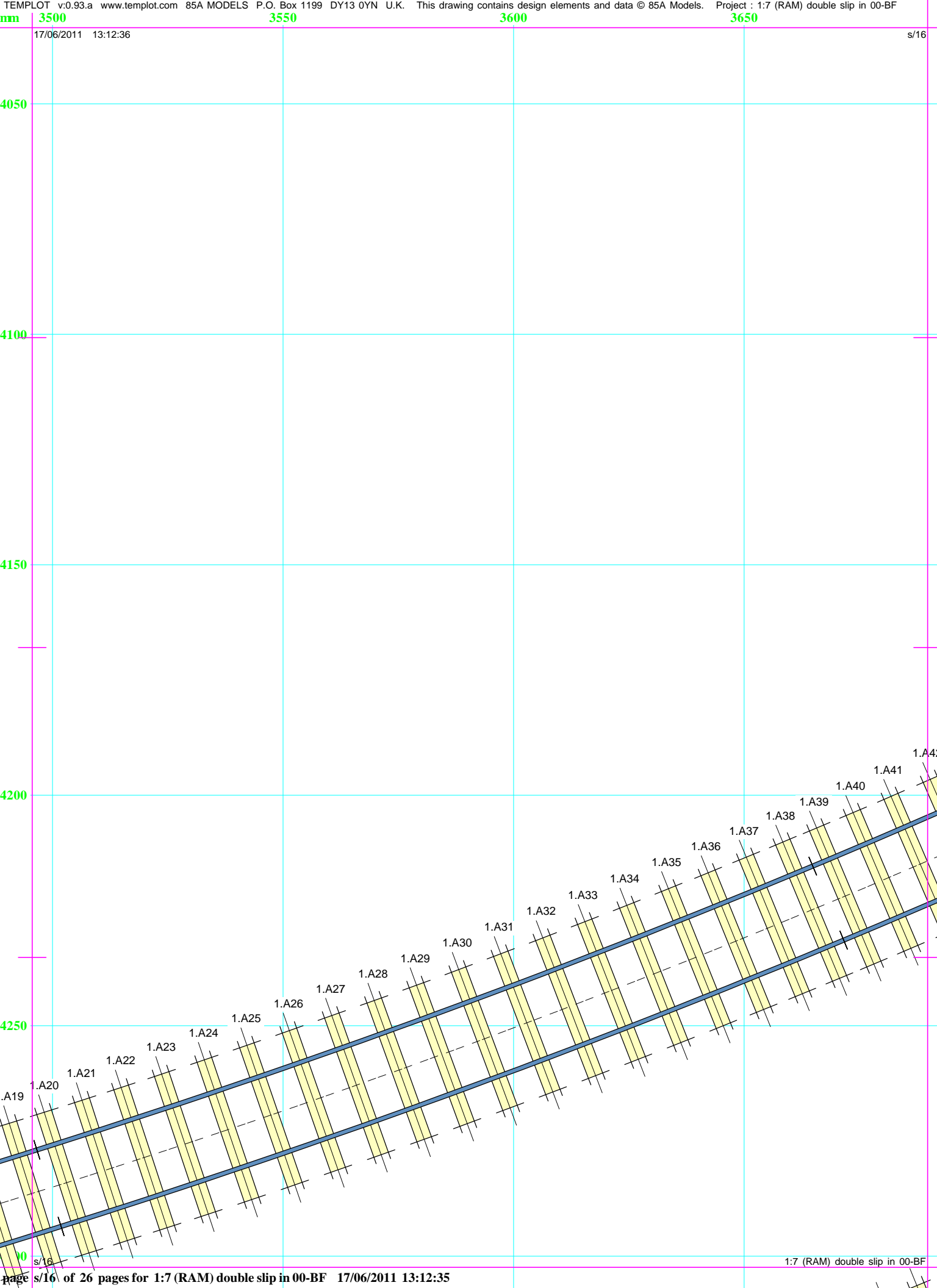
4550



4600

4650

4700

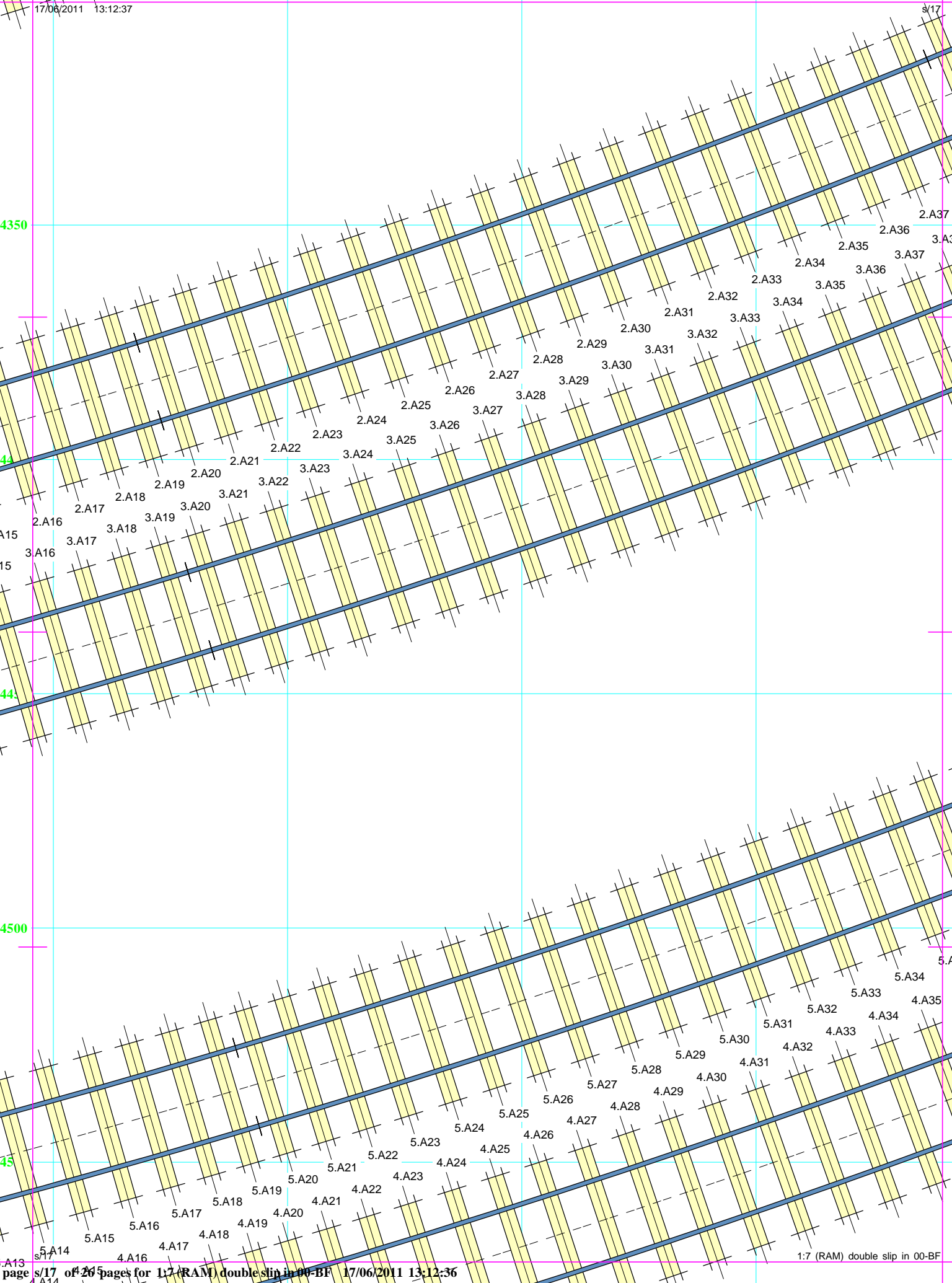


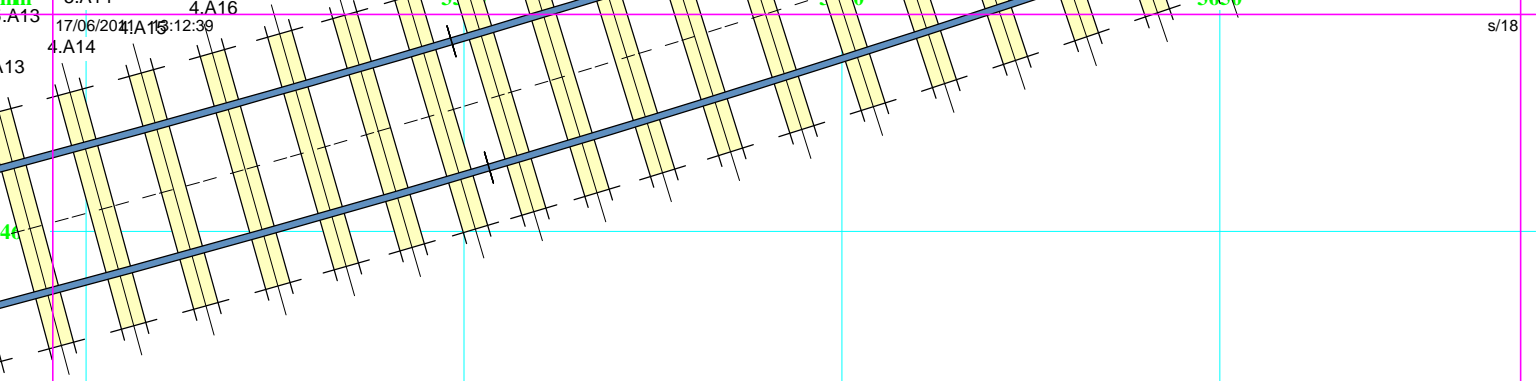
17/06/2011 13:12:37

3550

3600

3650





5.A14 4.A16 300 10 4650

17/06/2011 13:12:39 4.A14 s/18

4650

4700

4750

4800

